



4 lbs (1.8 kg) | Item# 2800-08107-0-0
 4 lbs (1.8 kg) | UPC: 852751008107
 8 lbs (3.6 kg) | Item# 2800-08114-0-0
 8 lbs (3.6 kg) | UPC: 852751008114

PremiYum™ Adult Rabbit Fortified Food

Our nutritionists carefully designed PremiYum Adult Rabbit Fortified Food to deliver the optimal nutrients to rabbits when combined with Standlee Premium Hand-Selected Forages. Use our on-pack silhouettes to develop the perfect combination and eliminate the hassle of balancing your animal's feeding program.

Benefits:

- Eliminates selective feeding
- Assists with proper gut function
- Minimizes fines and dust particles
- Reduces ammonia in animal waste

Recommended for:

Rabbits over 12 weeks of age



PREMIYUM COMPLETE FEEDING PROGRAM					
ADULT RABBIT		STANDLEE FORTIFIED FOOD	STANDLEE HAND-SELECTED FORAGE		
		PREMIYUM	ALFALFA	TIMOTHY GRASS	ORCHARD GRASS
LIFE STAGE	MATURE (12 WEEKS OF AGE AND OVER)		+	OR	OR

Feeding Instructions:

PremiYum Adult Rabbit Fortified Food is for rabbits over 12 weeks of age. Feed ¼ cup of fortified food per 1 lb of animal weight at a minimum. Example: An average adult rabbit weighs 6 lbs and should have access to 1 ½ cups of fresh fortified food per day. Adjust quantity based on animal's body condition. Always feed free-choice, clean forage and provide fresh water to assure a healthy animal. Remove any soiled or damp food as needed. See PremiYum Complete™ matrix above for Standlee Hand-Selected Forage variety recommendations. Consult with your veterinarian when changing your animal's diet.

Ingredients:

Timothy Meal, Wheat, Soybean Hulls, Whole Roasted Soybeans, Barley, Mono-Dicalcium Phosphate, Wheat Germ Meal, Soybean Oil, Lignin Sulfonate, Calcium Carbonate, Brewers Dried Yeast, Salt, Rice Hulls, DL-Methionine, Natural Flavors, Ascorbic Acid, Choline Chloride, Extracted Citric Acid Presscake, Vitamin E Supplement, Ferrous Sulfate, Yucca Schidigera Extract, Zinc Oxide, Mixed Tocopherols, Silicone Dioxide, Manganese Sulfate, Niacin Supplement, Citric Acid, Mineral Oil, Copper Sulfate, Rosemary Extract, Folic Acid, Calcium Pantothenate, Vitamin B12 Supplement, Vitamin A Supplement, Biotin, Sodium Selenite, Menadione Sodium Bisulfite Complex, Riboflavin Supplement, Vitamin D3 Supplement, Pyridoxine Hydrochloride, Thiamine Mononitrate, Calcium Iodate, Cobalt Sulfate.

Guaranteed Analysis:

- Crude Protein, Min %13
- Crude Fat, Min % 3.5
- Crude Fiber, Max %..... 20
- Moisture, Max %12
- Calcium, Min % 0.7
- Calcium, Max % 0.9
- Phosphorus, Min %..... 0.5
- Zinc, Min PPM100
- Copper, Min PPM 25
- Selenium, Min PPM 0.1
- Vitamin A, Min IU/Kg17,500
- Vitamin D, Min IU/Kg 2,100
- Vitamin E, Min IU/Kg.....120
- ADF, Max %..... 22
- NDF, Max %..... 33



Eden/Kimberly, ID | Hagerstown, MD
 Lexington, KY | Valdosta, GA

Learn More About Our Full Line Of Products
 At STANDLEEFORAGE.COM

PremiYum™ Adult Rabbit Fortified Food



4 lbs (1.8 kg)

Actual Size:
5"L x 10"W x 12"H

Case Dimensions:
19.6"L x 15.6"W x 8.4"H

Ti: Hi:
6 5

Case Pack:
8 x 4 lbs

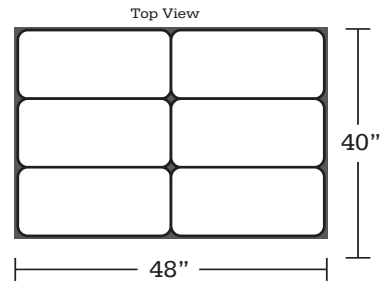
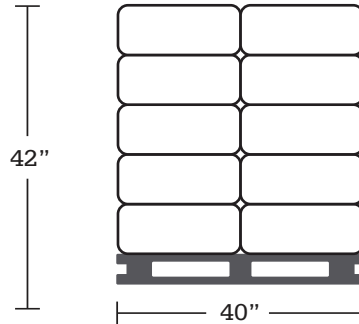
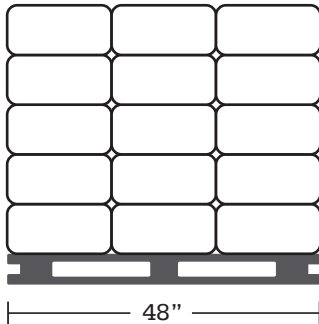
Cases/Pallet:
30 cases

Pallet Weight:
1045 lbs

Case Weight:
33.4 lbs

Units/Pallet:
240

Pallet Dimensions:
48"L x 40"W x 42"H



8 lbs (3.6 kg)

Actual Size:
5.5"L x 13"W x 14"H

Case Dimensions:
19.6"L x 15.6"W x 8.4"H

Ti: Hi:
6 5

Case Pack:
4 x 8 lbs

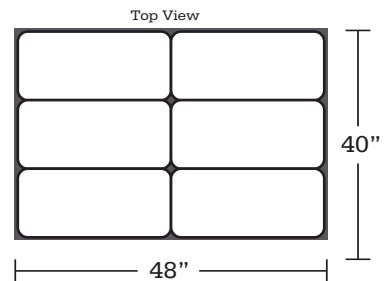
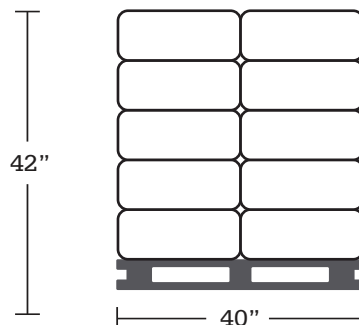
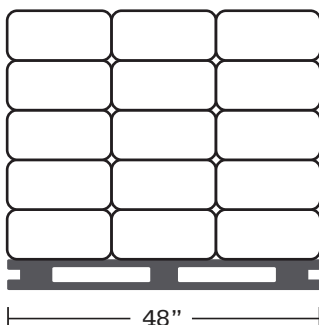
Cases/Pallet:
30 cases

Pallet Weight:
1045 lbs

Case Weight:
33.4 lbs

Units/Pallet:
120

Pallet Dimensions:
48"L x 40"W x 42"H



Purina® Omega Match™ Ration Balancing Horse Feed

WITH

OUTLAST

GASTRIC SUPPORT
SUPPLEMENT

A TIMOTHY-BASED RATION BALANCER HIGH IN OMEGA-3 FATTY ACIDS

PROTEIN, VITAMIN AND MINERAL FORTIFICATION

A concentrated formula to fill nutritional gaps common in forage or unfortified grains.

BALANCES OMEGA FATTY ACID RATIOS

Feeding Omega Match™ Ration Balancer as the sole concentrate ration to stalled horses for 11 weeks resulted in the development of similar omega fatty acid ratios to horses on pasture.

NATURAL SOURCE VITAMIN E + A FULL SUPPLEMENTAL LEVEL OF BIOTIN

Formulated with only a natural source of Vitamin E. When fed as directed, supports optimal Vitamin E levels and provides 15 mg of biotin to support hoof growth and repair.

FORMULATED WITHOUT

Formulated without soy, alfalfa, corn, wheat and molasses to support horses with sensitivities to these ingredients.

ALL THE GOODNESS OF PASTURE WITHOUT THE GUILT

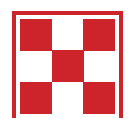
Controlled starch & sugar formula with no molasses that results in minimal glucose and insulin response to feeding.

HIGH IN FAT & FIBER, HIGH-QUALITY PROTEIN + INDIVIDUAL AMINO ACIDS

Inspired by the protein content and quality of fresh pasture. Suitable for horses in light to moderate work.

SOME HORSES GET THE OMEGAS THEY NEED FROM PASTURE. THIS IS FOR THOSE WHO CAN'T.

Purina® Omega Match™ Ration Balancing Horse Feed is specially formulated by PhD equine nutritionists with ingredients and benefits inspired by feeding fresh pasture, but without the drawbacks of too many calories or soluble carbohydrates. Our limited-ingredient formula addresses common sensitivities while meeting your horse's nutrient requirements and providing the fatty acids and antioxidants naturally found in green grass. Purina® Omega Match™ Ration Balancer provides a way to fill in nutritional gaps, whether your horse has a busy competition schedule with limited turnout or cannot graze green grass due to metabolic concerns. It's a great way of ensuring your horses get the nutrition they need, no matter their forage source.



FEED GREATNESS®

Purina® Omega Match™ Ration Balancing Horse Feed

2 LBS PURINA®
OMEGA MATCH



=

4 HOURS
GRAZING



Each pound of Omega Match™ Ration Balancer provides a similar amount of omega-3 fatty acids as grazing fresh pasture for 2 hours.

FEEDING DIRECTIONS WITH HAY OR PASTURE

Purina® Omega Match™ Ration Balancing Horse Feed can be used as the sole concentrate as described below or used in conjunction with other feeding programs as a supplemental source of omega fatty acids. For more specific guidance, contact your local Purina retailer or Purina Customer Service at 800-227-8941.

LIFESTYLE	Omega Match™ Ration Balancing Horse Feed (lbs/day)	Minimum Hay or Equivalent Pasture (lbs/day)
Mature Horses (1000 lbs) ^a		
Maintenance	2.0	20
Light Work	2.5	20
Moderate Work ^b	2.5	20
Mares through 2nd Trimester ^c	2.5	20
Growth ^d		
4-8 months (400-700 lbs)	4.0-5.0	8-14
9-17 months (700-900 lbs)	3.0-4.0	14-18
18-24 months (900-1000 lbs)	2.5-3.0	18-20

^a For horses that do not approximate this expected mature weight, feeding rates for mature horses at maintenance can be estimated based on 0.2-0.4 lbs Purina® Omega Match™ Ration Balancer and 0.2 lbs hay or pasture per 100 lbs body weight per day.

^b The additional calorie and nutrient demands of horses in more work may be better met by adding a grain or a Purina® product designed for performance horses.

^c The additional calories needed during the last trimester of gestation and through lactation can be provided by adding a grain or a Purina® product designed for breeding and growing horses.

^d More rapid rates of growth can be achieved by adding grain to the diet. However, given the inherent nutritional inconsistencies of straight grain diets, more rapid rates of gain are more safely and successfully achieved by feeding a Purina® product designed for growing horses.

A 2 lb meal of Omega Match™ Ration Balancing Horse Feed supplies a full serving of Outlast® supplement.

GUARANTEED ANALYSIS

Crude Protein (min)	13.50%
Lysine (min)	1.80%
Methionine (min)	0.70%
Threonine (min)	0.60%
Crude Fat (min)	8.50%
Crude Fiber (max)	20.00%
Acid Detergent Fiber (ADF) (max)	24.00%
Neutral Detergent Fiber (NDF) (max)	39.00%
Ash (max)	11.00%
Starch (max)	7.50%
Sugars (max)	5.00%
Calcium (Ca) (min)	1.75%
Calcium (Ca) (max)	2.25%
Phosphorus (P) (min)	0.80%
Sodium (Na) (max)	0.55%
Sulfur (S) (max)	0.65%
Potassium (K) (min)	0.50%
Magnesium (Mg) (min)	0.30%
Omega-3 Fatty Acid (min)	3.50%
Omega-6 Fatty Acid (min)	1.20%
Copper (Cu) (min)	65.00 ppm
Selenium (Se) (min)	1.00 ppm
Selenium (Se) (max)	1.20 ppm
Zinc (Zn) (min)	225.00 ppm
Vitamin A (min)	10,000 IU/lb
Vitamin D ₃ (min)	2,000 IU/lb
Vitamin E (min)	500 IU/lb
Biotin (min)	7.50 mg/lb



For more information, contact your local Purina retailer or visit purinamills.com/horse-feed.



FEED GREATNESS®

PremiYum™ Young Rabbit Fortified Food

Our nutritionists carefully designed PremiYum Young Rabbit Fortified Food to deliver the optimal nutrients to young rabbits, gestating or lactating does and breeding bucks when combined with Standlee Premium Hand-Selected Forages. Use our on-pack silhouettes to develop the perfect combination and eliminate the hassle of balancing your animal's feeding program.




Benefits:

- Eliminates selective feeding
- Assists with proper gut function
- Minimizes fines and dust particles
- Reduces ammonia in animal waste

Recommended for:

Rabbits under 12 weeks of age, gestating or lactating does and breeding bucks



PREMIYUM COMPLETE FEEDING PROGRAM				
YOUNG RABBIT		STANDLEE FORTIFIED FOOD	STANDLEE HAND-SELECTED FORAGE	
		PREMIYUM	ALFALFA	OR
LIFE STAGE	Young Rabbit (Under 12 Weeks of Age), Gestating/Lactating Does, and Breeding Bucks			

Feeding Instructions:

PremiYum Young Rabbit Fortified Food is for rabbits under 12 weeks of age, gestating or lactating does and breeding bucks. Feed ¼ cup of fortified food per 1 lb of animal weight at a minimum. Example: A growing rabbit under 12 weeks old and weighing 2 lbs should have access to ½ cup of fresh fortified food per day. Adjust quantity based on animal's body condition. Always feed free-choice, clean forage and provide fresh water to assure a healthy animal. Remove any soiled or damp food as needed. See PremiYum Complete™ matrix above for Standlee Hand-Selected Forage variety recommendations. Consult with your veterinarian when changing your animal's diet.

Ingredients:

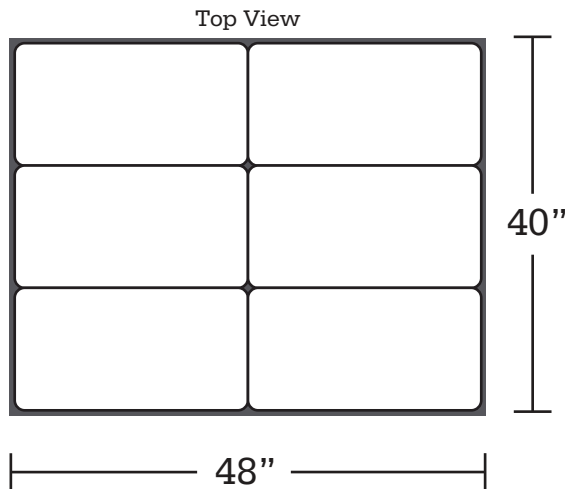
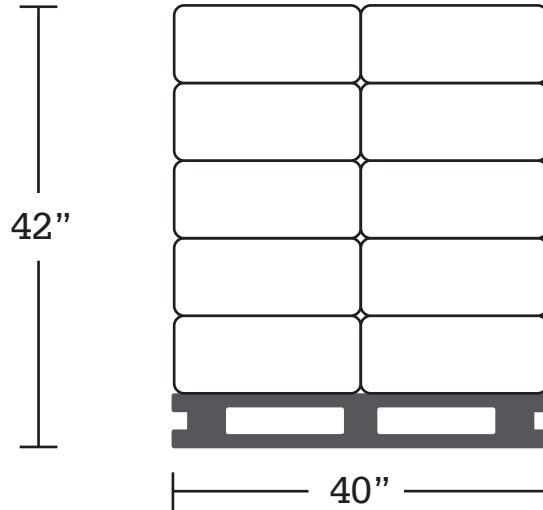
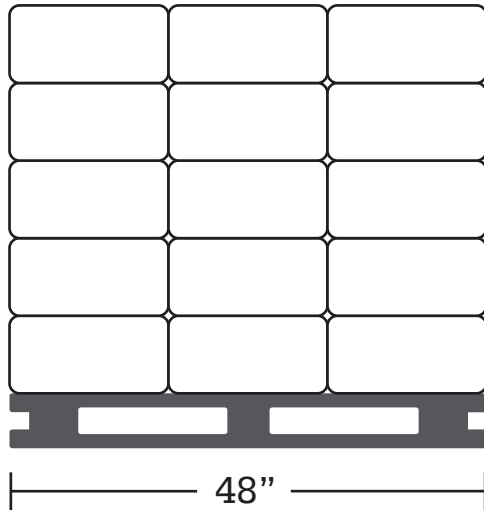
Dehydrated Alfalfa Meal, Wheat Middlings, Soybean Hulls, Whole Roasted Soybeans, Barley, Soybean Oil, Brewers Dried Yeast, Mono-Dicalcium Phosphate, Calcium Carbonate, Lignin Sulfonate, Salt, Rice Hulls, DL-Methionine, Natural Flavors, Ascorbic Acid, Choline Chloride, Extracted Citric Acid Presscake, Vitamin E Supplement, Ferrous Sulfate, Yucca Schidigera Extract, Zinc Oxide, Mixed Tocopherols, Silicone Dioxide, Manganese Sulfate, Niacin Supplement, Citric Acid, Mineral Oil, Copper Sulfate, Rosemary Extract, Folic Acid, Calcium Pantothenate, Vitamin B12 Supplement, Vitamin A Supplement, Biotin, Sodium Selenite, Menadione Sodium Bisulfite Complex, Riboflavin Supplement, Vitamin D3 Supplement, Pyridoxine Hydrochloride, Thiamine Mononitrate, Calcium Iodate, Cobalt Sulfate.

Guaranteed Analysis:

Crude Protein, Min %	17
Crude Fat, Min %	5.5
Crude Fiber, Max %	17
Moisture, Max %	12
Calcium, Min %	0.9
Calcium, Max %	1.1
Phosphorus, Min %	0.6
Zinc, Min PPM	100
Copper, Min PPM	25
Selenium, Min PPM	0.1
Vitamin A, Min IU/Kg	17,500
Vitamin D, Min IU/Kg	2,100
Vitamin E, Min IU/Kg	120
ADF, Max %	22
NDF, Max %	34



PremiYum™ Young Rabbit Fortified Food



Actual Size:
5"L x 10"W x 12"H

Case Weight:
33.4 lbs

Cases/Pallet:
30 cases

Ti:
6

Pallet Weight:
1045 lbs

Case Pack:
8 x 4 lbs

Case Dimensions:
19.6"L x 15.6"W x 8.4"H

Units/Pallet:
240

Hi:
5

Pallet Dimensions:
48"L x 40"W x 42"H

TRIPLE
CROWN

STRESSFREE®

FORTIFIED FORAGE SUPPLEMENT

A forage-based digestive supplement to reduce your worry and keep your horse eating.



RESEARCH INDICATES GASTRIC DISCOMFORT HAPPENS QUICKLY.

According to a study published in the Journal of the American Veterinary Medical Association, horses that were transported or confined to stalls in an unfamiliar facility with light exercise resulted in an increased incidence of gastric lesions within 5 days, compared to a control group.

- ✓ A highly palatable forage supplement that will help keep your horse eating
- ◆ Goes beyond with a slow release butyric acid to support normal health and function of the digestive tract
- ⚗ Prebiotics to improve the microbial population and aid with digestive balance
- 🍷 Flaxseed oil for Omega-3 fatty acids, and peppermint essential oil for palatability
- 🌿 Made with chopped alfalfa, which is high in calcium and may have natural buffering effects
- 👉 Feed 2-4 lb. per day; a little goes a long way



COMMON REASONS TO SUPPLEMENT STRESSFREE FORAGE TO KEEP A HORSE EATING:

- Trailing
- Performing
- Change in weather
- Separation
- Heat stress
- General anxiety
- Change in diet
- New environment

GUARANTEED ANALYSIS:

Crude Protein (min).....14.0%
Crude Fat (min).....7.0%
Crude Fiber (max)..... 25.0%
NSC (avg.)..... 9.2%

INGREDIENT LIST:

(Free from Restricted Ruminant Protein Products per Title 21, CFR 589.2000/2001)
Sun-Cured Alfalfa, Yeast Culture, Yeast Extract, L-Carnitine, Alfalfa Meal, Wheat Middlings, Distillers Dried Grains, Cane Molasses, Flaxseed Oil, Soybean Oil, Butyric Acid, Zinc Oxide, Silicon Dioxide, Peppermint Essential Oil, Propylene Glycol, Glycerin, (Propionic Acid, Sodium Benzoate, Potassium Sorbate (Preservatives))

FEEDING DIRECTIONS:

Feed 2-4 pounds of StressFree Forage per horse per day. StressFree Forage can be mixed with horse's grain or fed separately.

PACKAGE INFORMATION
UPC Code: 7-03948-50090-7

triplecrownfeed.com
800-451-9916



TRIPLE CROWN® NATURALS TIMOTHY BALANCE® CUBES

8% Protein • 1.8% Fat • 35% Fiber • 830 KCAL/lb.

Triple Crown Naturals Timothy Balance Cubes are a consistent, convenient, low protein forage replacement or supplement formulated with Timothy hay, beet pulp and specific minerals. Designed for horses with Cushing's disease, insulin resistance, laminitis and other conditions when a nutritious, low nonstructural carbohydrate diet is recommended.

IDEAL FOR: When excessive soluble carbohydrates are a concern

Guaranteed Analysis:

Crude Protein (min.)	8.00%
Crude Fat (min.)	1.80%
Crude Fiber (max.)	35.00%
Calcium (min.)	0.50%
Calcium (max.)	0.80%
Phosphorus (min.)	0.30%
Magnesium (min.)	0.30%
Copper (min.)	30 ppm
Selenium (min.)	0.20 ppm
Zinc (min.)	90 ppm
Iodine (min.)	0.80 ppm
Manganese (min.)	90 ppm
Moisture(max.).....	12.00%

Ingredients:

Timothy Hay, Beet Pulp, Calcium Hydroxide, Monosodium Phosphate, Magnesium Oxide, Copper Sulfate, Zinc Sulfate, Manganese Sulfate, Sodium Selenite, Calcium Iodate.

Feeding Directions:

Feed at 1.5-2% of body weight per day as a hay replacement. As a hay supplement, feed at a rate to maintain body condition, along with hay. Feed in a bucket or feed tub, preferably at ground level.

NOTE: Provide plenty of fresh, clean water at all times. Keep product fresh in cool, dry storage. Examine product daily. DO NOT use if old, moldy or contaminated with insects.



Special Blend Pellets

Haystack Naturals Premium Horse Feeds has formulated Special Blend Pellets is intended for horses of all ages that would benefit from a lower carbohydrate, high fat diet.

Guaranteed Analysis:

Crude Protein:	Min 14%
ADF:	Max 30.5%
Crude Fat:	Min. 6%
Crude Fiber:	Max 28%
Calcium:	Min. 0.8% ~ Max 1.2%
Phosphorous:	Min. 0.2% ~ Max 0.4%
Dietary Starch:	Max 5.0%
Sugars (ESC):	Max 7.0%
Fructans (WSC-ESC):	Max 2.5%
Water Soluble Carbs (WSC):	Max 10%
Ash:	Max 8%

Ingredients: Sun Cured Timothy Hay, Sun Cured Alfalfa Hay, Plain Dried Beet Pulp, Flax Seed Meal, Canola Meal, Canola Oil, Heat Stabilized Rice Bran

Feeding Instructions: This feed can be fed to horses of all age groups. It is intended for horses that would benefit from a lower carbohydrate/higher fat diet. There is no molasses added. It is especially useful for horses of normal weight or that need to gain weight. Combine with a multi vitamin/mineral supplement.

Foals: 0.5 ~ 1.0 LBS Daily

Breeding Animals: 1 ~ 5 LBS Daily

Lactating Mares: 3 ~ 5 LBS Daily

Maintenance: 1 ~ 2 LBS Daily

Weight Gain (All Age Groups): 0.5 ~ 1.5 LBS/100 LBS Body Weight

It is recommended that you consult with your veterinarian or nutritionist for a suggested diet for your horse.

These pellets are softer and there might be more powder present, as we use no binders during processing except steam.

Net WT: 40 LBS/ 18.14 KG

CRYPTO AERO WILD FORAGE:

Crude Protein.....	13.50%
Crude Fiber.....	33.00%
Crude Fat.....	9.00%
Lysine.....	0.58%
Methionine.....	0.16%
Threonine.....	0.48%
Calcium	0.90%
Phosphorus.....	0.20%
Magnesium.....	0.20%
Zinc.....	28ppm
Copper.....	12ppm
Potassium.....	1.50%
Sulfur.....	0.20%
Manganese.....	59ppm
Sugar.....	5.00%
Dietary Starch.....	1.50%
NSC.....	6.50%



INGREDIENTS

- Timothy Pellets, Alfalfa Pellets & Chopped Mixed Hay stabilize the acidity in the digestive tract while the grain ration is digested. They provide calcium, phosphorus, magnesium, manganese, zinc, copper, and vitamin A.
- Rice Bran Oil contains gamma orazynol, which is a natural anti-ulcerative, as well as vitamin E.
- Sunflower Seeds are an excellent source of health benefiting nutrients like vitamins A, E, B1 and 6, folate, and niacin. 100 grams of sunflower seeds contain around 35 grams of vitamin E. They are a good source of copper, manganese, selenium, magnesium, and phosphorus.
- Ground Flax is high in Omega 3 fatty acids. It helps boost the immune system and is a potent anti-inflammatory. It supports healthy hoof growth and a shiny coat.
- Green Peas & Yellow Peas are naturally high in Lysine, are high in protein, and help to regulate blood sugar. They provide vitamins A, C, and B6.
- Papaya has anti-inflammatory properties and is mostly known for the enzyme papain it contains. Papain can aid in healing ulcers and helps prevent future ulcers. It is a source of vitamins A, C, and B6. By increasing salivation it aids in ingestion and increases appetite.
- Rose Hips contain the highest amount of Vitamin C, as well as Rutin, which helps to strengthen capillaries, and has been used since the 1940's to prevent pulmonary bleeding. They are a mild kidney tonic, have anti-arthritis properties, support hoof growth, and are a source of vitamins A and B6.
- Green Cabbage contains L-Glutamine naturally, which is the most important amino acid to build and repair intestinal lining. It also provides folate, copper, vitamins B1, B2, A, and C.
- Spirulina is a complete food that contains every essential amino acid, vitamin and mineral. It boosts the immune system, reduces allergies, and provides high amounts of tryptophan and vitamin B12.
- Organic Yeast aids digestion and provides vitamins B6, B12, thiamine, niacin, and riboflavin.
- Fenugreek improves digestion, reduces inflammation, lowers blood glucose levels, soothes and heals the intestinal tract and has cardiovascular benefits.
- Anise helps to diffuse digestive gases and also has potent anti-viral properties.



GUARANTEED ANALYSIS	
Protein	- 13.30%
Fiber	- 33.00%
Fat	- 9.00%
Lysine	- 0.58%
Methionine	- 0.16%
Threonine	- 0.48%
Calcium	- 0.90%
Phosphorus	- 0.20%
Magnesium	- 0.20%
Zinc	- 28ppm
Copper	- 12ppm
Potassium	- 1.50%
Sulfur	- 0.20%
Manganese	- 59 ppm
Sugar	- 5.00%
Starch	- 1.50%
NSC	- 6.50%



CRYPTO AERO WILD FORAGE INGREDIENTS

Alfalfa Hay Pellets, Timothy Hay Pellets, Chopped Mixed Hay, Rice Bran Oil, Shelled Sunflower Seeds, Black Oil Sunflower Seeds, Milled Flax Seed, Green Peas, Yellow Peas, Papaya, Rose Hips, Green Cabbage, Spirulin Brewer's Dried Yeast, Anise, Fenugreek.